



7 Stops Color Temperature Adjustable



Trim Voltage

CTA-J Series CTA-H-J Series(Class 2)

CCT & 5 in 1 (Triac, 0-10V, 1-10V, 10V PWM, Potentiometer) Dim. C.V. J-Box LED Driver

(Output Voltage Fine Tune Available / 2700K-6500K Color Temperature adjustable)

5 合 1 调光恒压双色壳机一体电源 【CTA-J · CTA-H-J 系列】 【输出电压可微调 / 2700K-6500K 色温可选】

Features 特性

- ★ Dim-all: CCT & Triac/0-10V/1-10V/10VPWM/Potentiometer
- Universal input: 110-277Vac
- Dimming effect:
 - PWM dim mode: 100-0.1% dim, flicker-free
 - Triac dim mode: Forward phase & reverse phase, MLV, ELV dim
- ★ CCT-Tunable: Linear color temperature adjustable
 - 7 stops color temperature adjustable (2700K-6500K).
- With unique knob trim voltage function
- Wet, damp, and dry location,
- Title 24 JA8 compliant
- Build in active PFC, typical power factor>0.95, THD<10%@120V Max. load.
- Super low loading request, works perfect at 10-100% load.
- Short-circuit, over-temperature, over-load protection.
- UL cUL listed, Class 2, Class P, FCC, NEMA 4X, ROHS

- ★ 调光方式: CCT可控硅/0-10V/1-10V/10V PWM/电阻调光
- 通用输入: 110-277Vac
- 调光效果:
 - PWM 调光模式: 100-0.1% 调光, 无闪烁
 - 可控硅调光模式: 正相和反相、MLV、ELV 调光
- ★ CCT-Tunable: 线性色温可选和
 - 7档色温可选 (2700K-6500K)
 - 具有独特的旋钮微调电压功能
 - 适用于潮湿和干燥的位置
 - 兼容Title 24, JA8标准
 - 内置有源PFC, 典型功率因数>0.95, THD<10% @120V Max. load
 - 超低负载要求, 在 10-100% 负载下完美运行
 - 短路、过温、过载保护
- 认证: UL/cUL, Class 2, Class P, FCC, NEMA 4X, ROHS

Selling Points 卖点

- 1) PWM Output: 4k/HZ Constant frequency (Different frequencies can be customized:250-20000Hz)
- 2) Dimming range: 100%-0.1% Ultra Deep Amplitude
- 3) Works with two channel CCT warm-dim LED strip/tape (3 wires)
- 4) Exclusive patent design of "Clamshell" junction box (Fixed without screws)

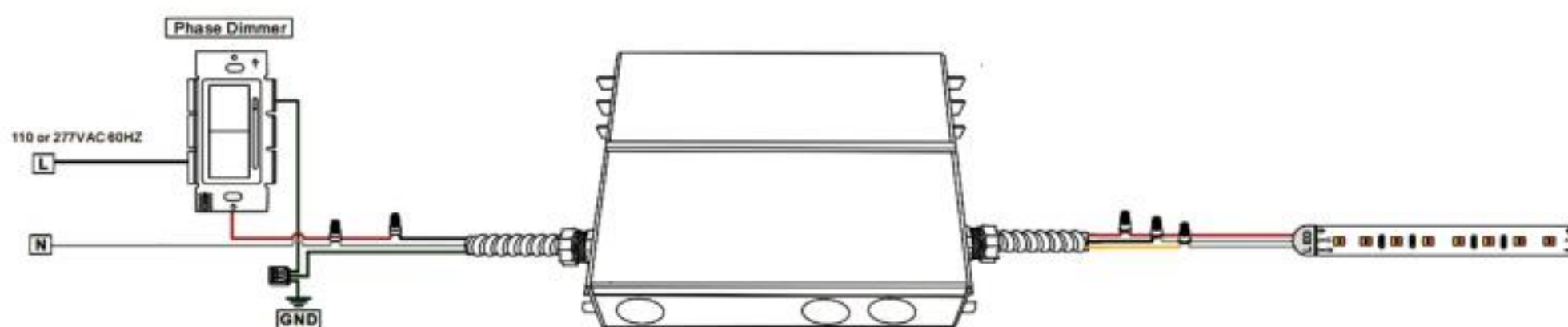
- 1) PWM输出: 4k/HZ恒定频率 (可定制不同频率: 250-20000Hz)
- 2) 调光范围: 100%-0.1%超深幅度
- 3) 适用于两通道 CCT 冷暖调光 LED 灯条/3线芯LED灯带
- 4) 独家 "Clamshell" 接线盒专利设计 (无需螺丝固定)

Model 型号	Cover Material 外壳材质	Output Voltage 输出电压 (Vdc)	Output Current 输出电流 (Amp)	Output power 输出功率 (Watt)	Product Size 尺寸 (mm)	N/W 净重 (g)
CTA-12030J	Metal Housing (NEMA 4X)	12V(9-13Vadjustable)	2.5A	30W	158*120.5*42	750
CTA-24030J		24V(17-25Vadjustable)	1.25A			
CTA-48030J		48V(36-49Vadjustable)	0.63A			
CTA-12060J		12V(9-13Vadjustable)	5A	60W	158*120.5*42	750
CTA-24060J		24V(17-25Vadjustable)	2.5A			
CTA-48060J		48V(36-49Vadjustable)	1.25A			
CTA-12080J		12V(9-13Vadjustable)	6.6A	80W	188*120.5*42	1100
CTA-24080J		24V(17-25Vadjustable)	3.3A			
CTA-48080J		48V(36-49Vadjustable)	1.66A			
CTA-24096J		24V(17-25Vadjustable)	4A	96W	188*120.5*42	1100
CTA-48096J		48V(36-49Vadjustable)	2A			
CTA-12100J		12V(9-13Vadjustable)	8.33A	100W	188*120.5*42	1100
CTA-24100J		24V(17-25Vadjustable)	4.17A			
CTA-48100J		48V(36-49Vadjustable)	2.08A			
CTA-12120J		12V(9-13Vadjustable)	10A	120W	218*120.5*42	1100
CTA-24120J		24V(17-25Vadjustable)	5A			
CTA-48120J		48V(36-49Vadjustable)	2.5A			
CTA-12150J		12V(9-13Vadjustable)	12.5A	150W	218*120.5*42	1500
CTA-24150J		24V(17-25Vadjustable)	6.25A			
CTA-48150J		48V(36-49Vadjustable)	3.125A			
CTA-12200J		12V(9-13Vadjustable)	16.67A	200W	218*120.5*42	1500
CTA-24200J		24V(17-25Vadjustable)	8.33A			
CTA-48200J		48V(36-49Vadjustable)	4.17A			
CTA-12300J		12V(9-13Vadjustable)	25A	300W	258*120.5*42	1500
CTA-24300J		24V(17-25Vadjustable)	12.5A			
CTA-48300J		48V(36-49Vadjustable)	6.25A			
High Power Class 2			120W-384W			
CTA-H12120J	Metal Housing (NEMA 4X)	12V(9-13Vadjustable)	2CH*5A	2CH*60W	218*120.5*42	1100
CTA-H24120J		24V(17-25Vadjustable)	2CH*2.5A	2CH*60W	218*120.5*42	1100
CTA-H12180J		12V(9-13Vadjustable)	3CH*5A	3CH*60W	218*120.5*42	1100
CTA-H24192J		24V(17-25Vadjustable)	2CH*4A	2CH*96W	218*120.5*42	1100
CTA-H48192J		48V(36-49Vadjustable)	2CH*2A	2CH*96W	218*120.5*42	1100
CTA-H24288J		24V(17-25Vadjustable)	3CH*4A	3CH*96W	258x120.5x42	1500
CTA-H48288J		48V(36-49Vadjustable)	3CH*2A	3CH*96W	258x120.5x42	1500
CTA-H12300J		12V(9-13Vadjustable)	5CH*5A	5CH*60W	258x120.5x42	1500
CTA-H24384J		24V(17-25Vadjustable)	4CH*4A	4CH*96W	258x120.5x42	1500
CTA-H48384J		48V(36-49Vadjustable)	4CH*2A	4CH*96W	258x120.5x42	1500

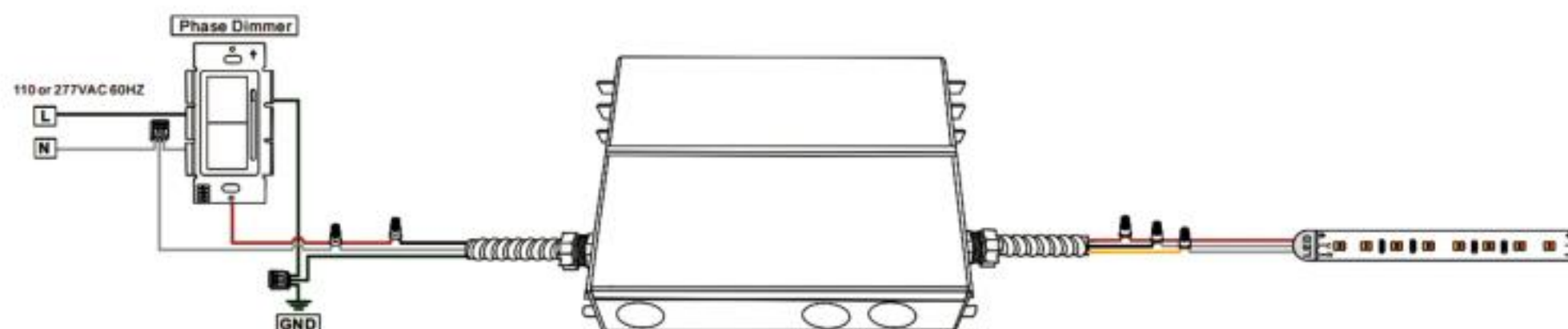
Wiring Diagram (Works with Two channel CCT warm-dim LED strip/tape (3 wires))

接线图 (适用于两通道 CCT 冷暖调光 LED 灯条/3线芯LED 灯带)

1) Using Triac / MLV wiring diagram 使用 Triac/MLV 接线图

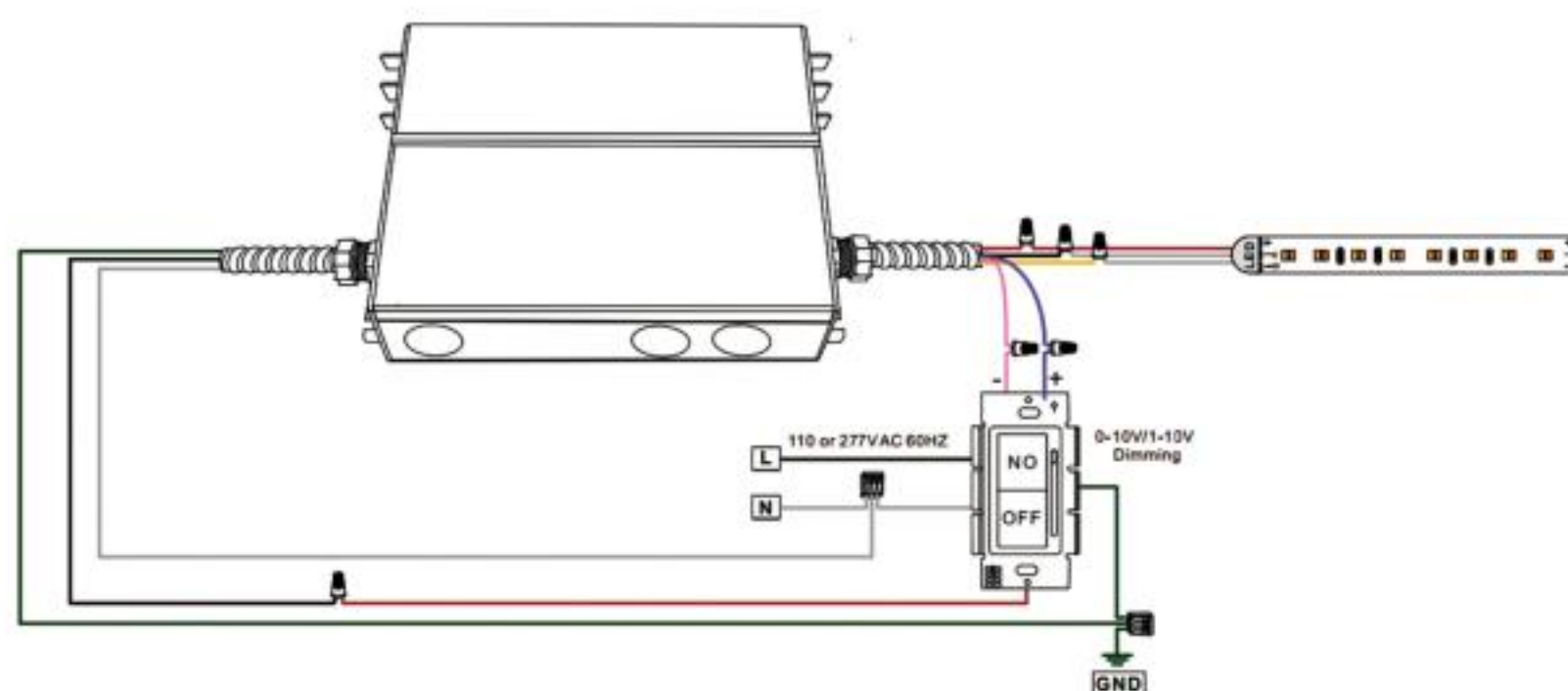


2) Using Triac / ELV wiring diagram 使用 Triac/ELV 接线图



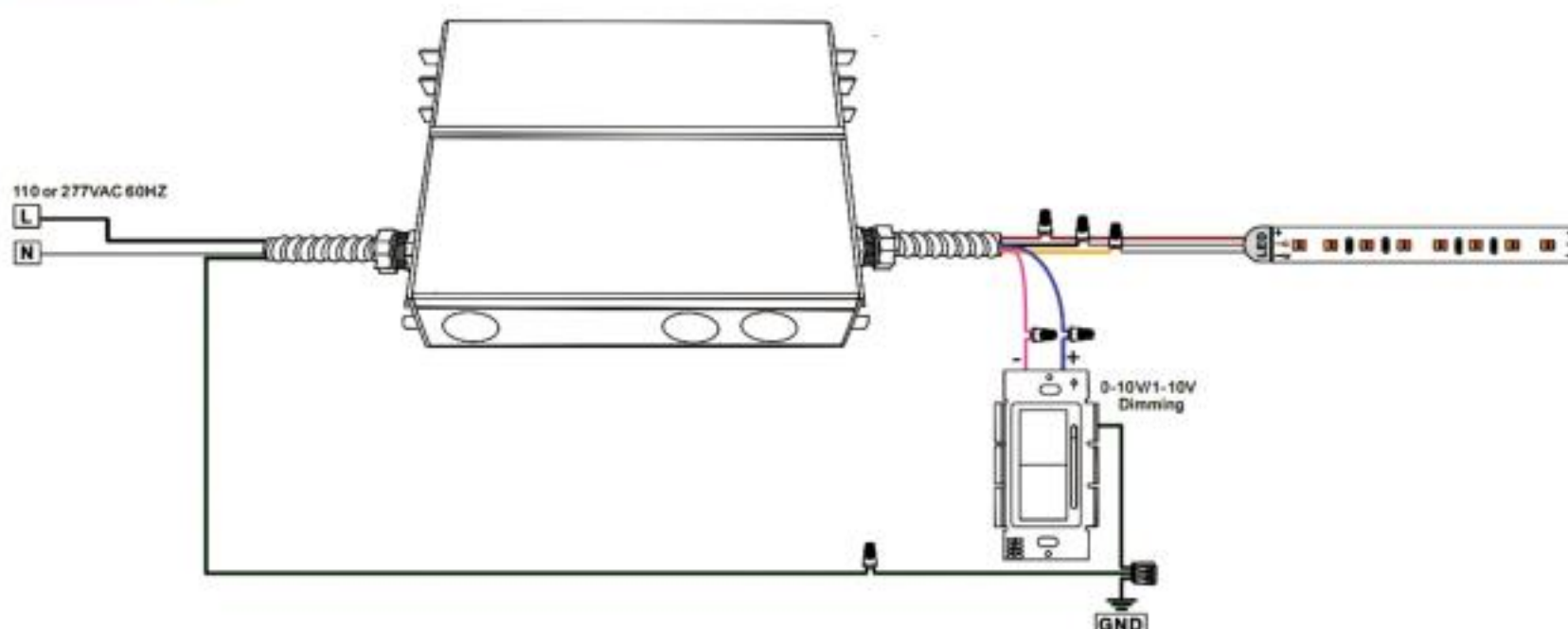
3) Using 0-10V/1-10V Dimming(The driver input is connected to the dimmer)

使用0-10V/1-10V调光 (驱动输入连接调光器)



4) Using 0-10V/1-10V Dimming(The driver is independently connected to the input)

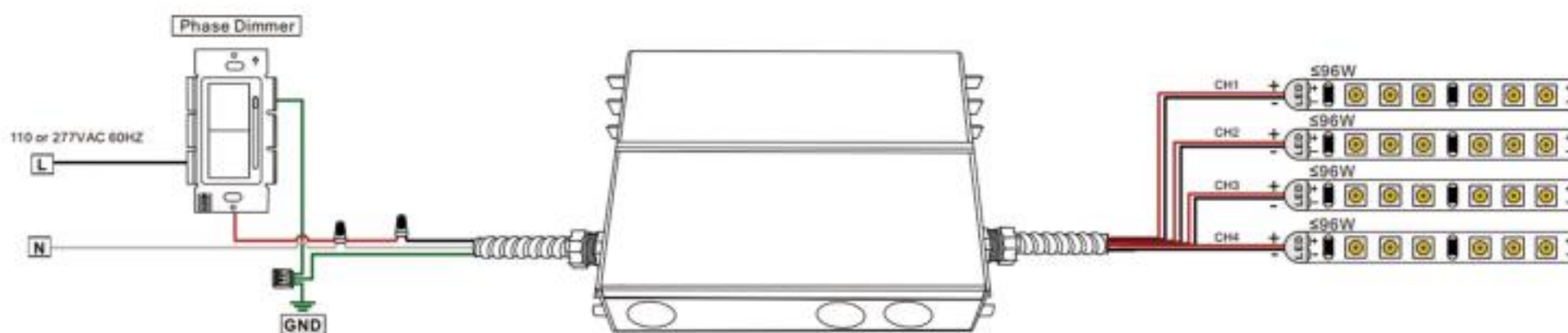
使用0-10V/1-10V调光 (驱动器独立连接输入)



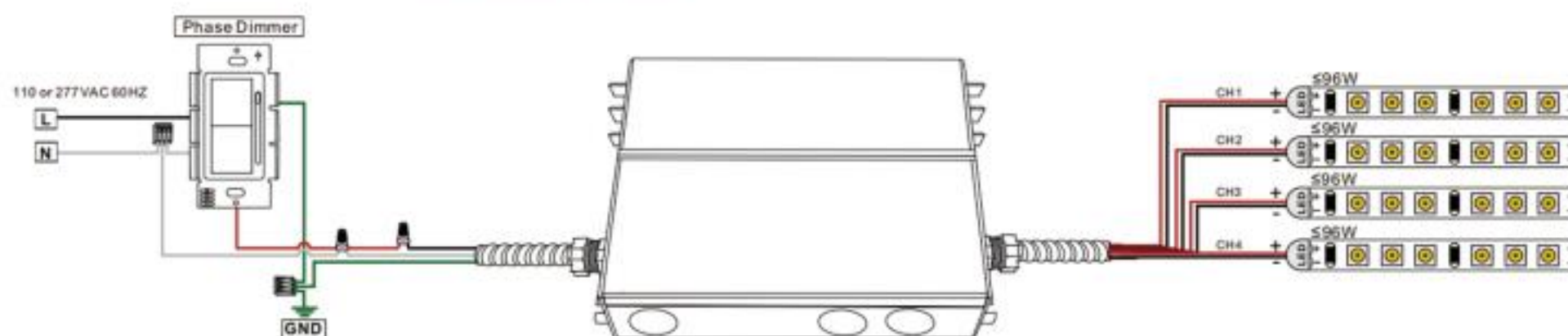
Wiring Diagram (e.g.: Following is the wiring diagram of high power class 2 LED Driver 384W)

接线图 (例如：以下是大功率 Class 2 LED驱动器384W接线图)

1) Using Triac / MLV wiring diagram 使用 Triac/MLV 接线图

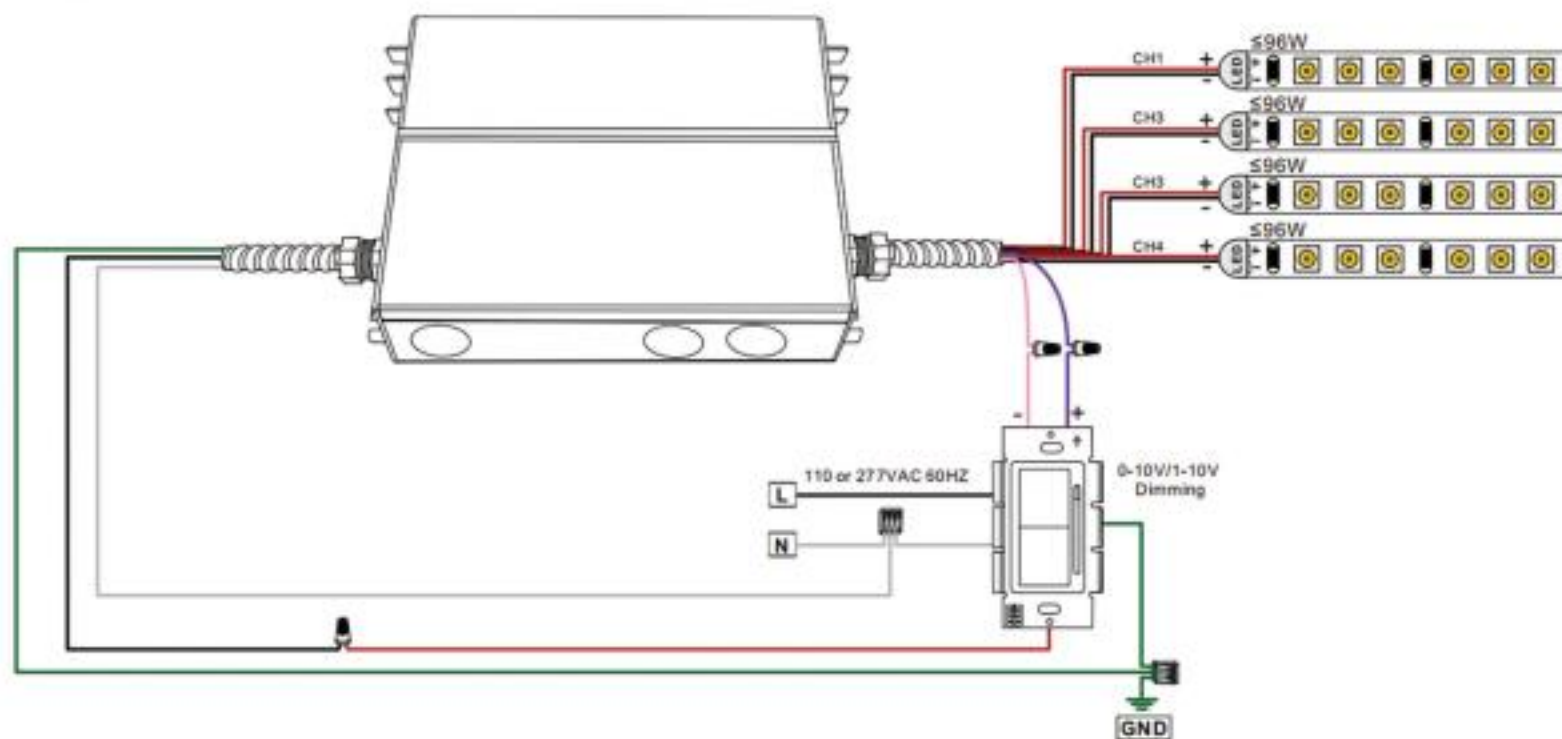


2) Using Triac / ELV wiring diagram 使用 Triac/ELV 接线图



3) Using 0-10V/1-10V Dimming(The drive input is connected to the dimmer)

使用0-10V/1-10V调光 (驱动输入连接调光器)



4) Using 0-10V/1-10V Dimming(The drive is independently connected to the input)

使用0-10V/1-10V调光 (驱动器独立连接输入)

